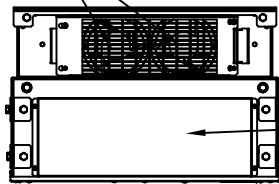


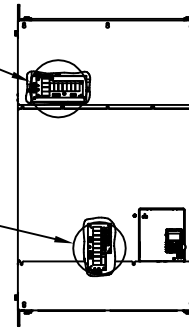
(2) EXTERNAL COOLING FANS



TOP PROTECTIVE COVER

EMC FILTER SWITCH DETAILS

DETAIL B

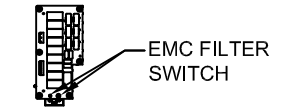


DETAIL C

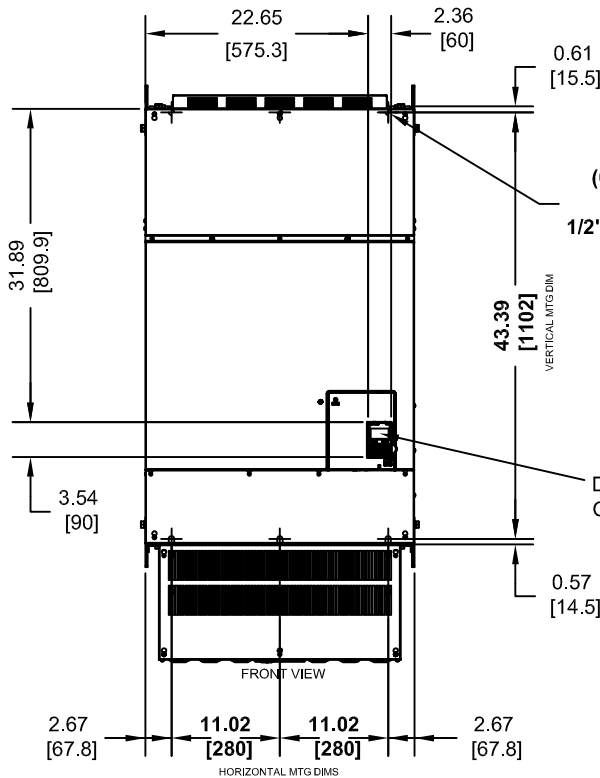
EMC FILTER SWITCH



DETAIL B

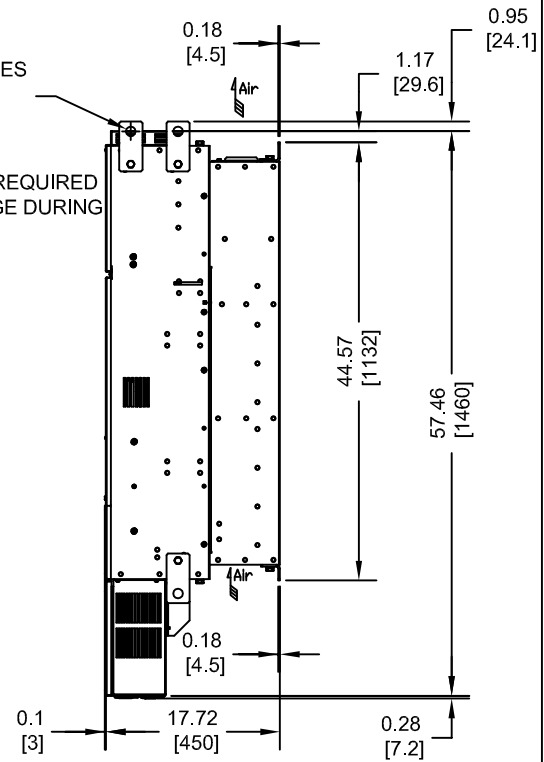


DETAIL C

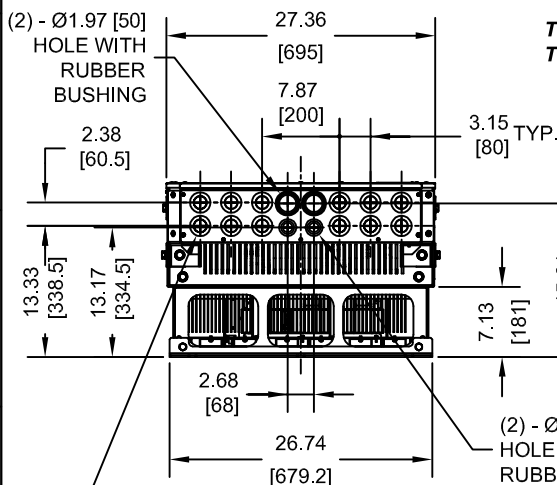


(6)-LIFTING HOLES Ø0.98 [Ø25]

NOTE: SPREADER BAR REQUIRED TO AVOID DAMAGE DURING LIFTING



THE DIMENSIONS SHOWN ARE FOR AN IP00 OPEN TYPE DRIVE THAT HAS BEEN CONVERTED TO A NEMA TYPE 1 DRIVE BY ADDING THE PARTS FROM NEMA 1 KIT PART NUMBER EZZ022745F



MODEL # CIMR-ZU	VOLTAGE 3-PHASE (VAC)	OUTPUT CURRENT (A)	WEIGHT LBS (Kg)	WEIGHT WITHOUT EMC FILTER LBS (Kg)	HEAT LOSS (W) (Fc=4kHz)		
					INT	EXT	TOT
4□0302□□	380/480*	302	613 (278)	595 (270)	857	5202	6059
4□0361□□		361	613 (278)	595 (270)	863	5434	6297
4□0414□□		414	613 (278)	595 (270)	1012	6444	7456

NOTES:

□ DENOTES A-Z

□□ DENOTES AAA-ZZZ

* - FOR MODELS WITHOUT INTEGRAL EMC FILTER, VOLTAGE RATING IS 380/500.

INT=INTERNAL COMPONENTS
EXT=EXTERNAL HEATSINK
TOT=TOTAL

FOR ADDITIONAL DETAILS AND SPECIFICATIONS, CONSULT MANUAL

TOLERANCES / REFERENCES:



THIS DOCUMENT AND INFORMATION CONTAINED IN IT ARE CONFIDENTIAL, AND CANNOT BE COPIED OR DISCLOSED IN WHOLE OR IN PART WITHOUT THE EXPRESS WRITTEN CONSENT OF YASKAWA AMERICA, INC.

DRAWN: J. MATTAS	DATE 3-18-15
CHECKED: J. PIOTROWSKI	DATE 3-18-15
TECH: J. BORJA	DATE 3-19-15
APPROVED: J. CAIRO	DATE 4-30-15
ORIGINAL DESIGN:	DATE

TITLE:
Z1000U DIMENSION DRAWING
FRAME SIZE 5
NEMA TYPE 1 ENCLOSURE
4□0302, 4□0361 AND 4□0414

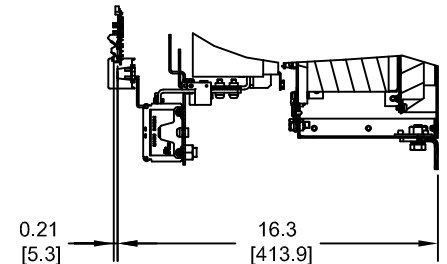
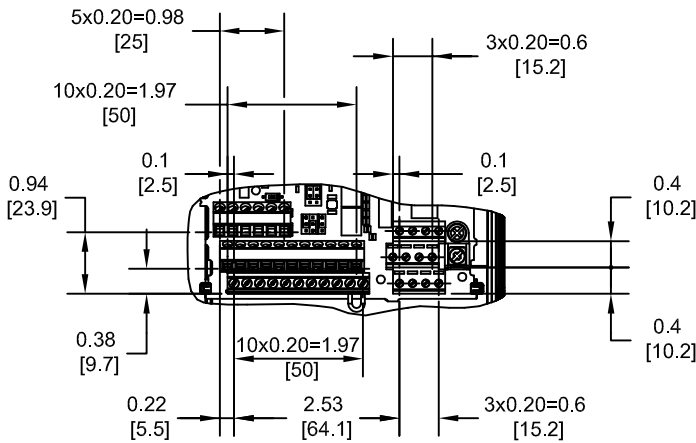
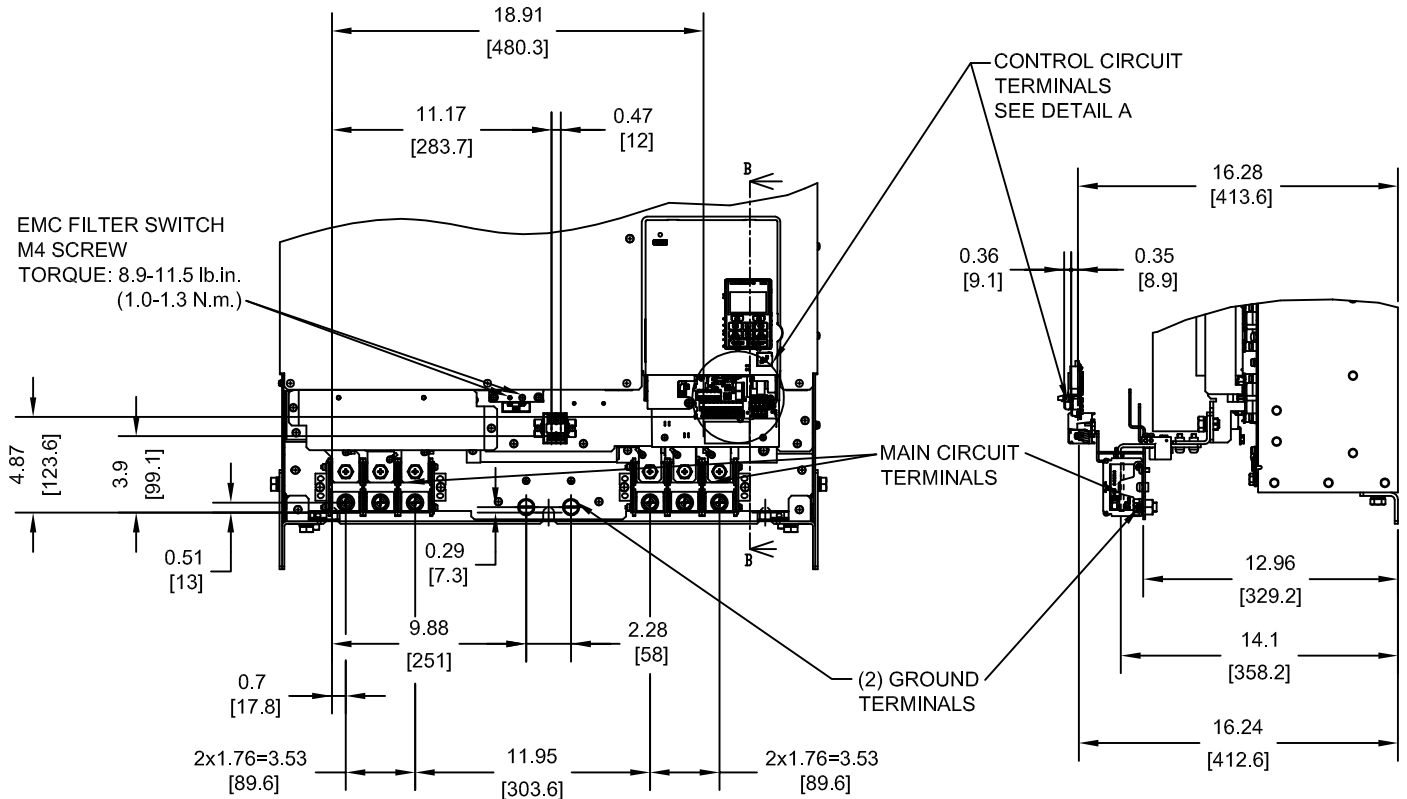
SIZE A	REVISION R00	PAGE 1 of 4
-----------	-----------------	----------------

DRAWING #:
DD.Z1KU.FR5.N1

UNITS: IN[mm]
SCALE: 1:20

TERMINAL AND WIRING INFORMATION FOR: ZU4□0302 AND ZU4□0361

TERMINAL AND WIRING DETAILS (SCALE 1:10)



DETAIL A (SCALE 1:3)
CONTROL CIRCUIT TERMINALS

TERMINAL AND WIRE SPECIFICATIONS FOR MAIN CIRCUIT AND GROUND

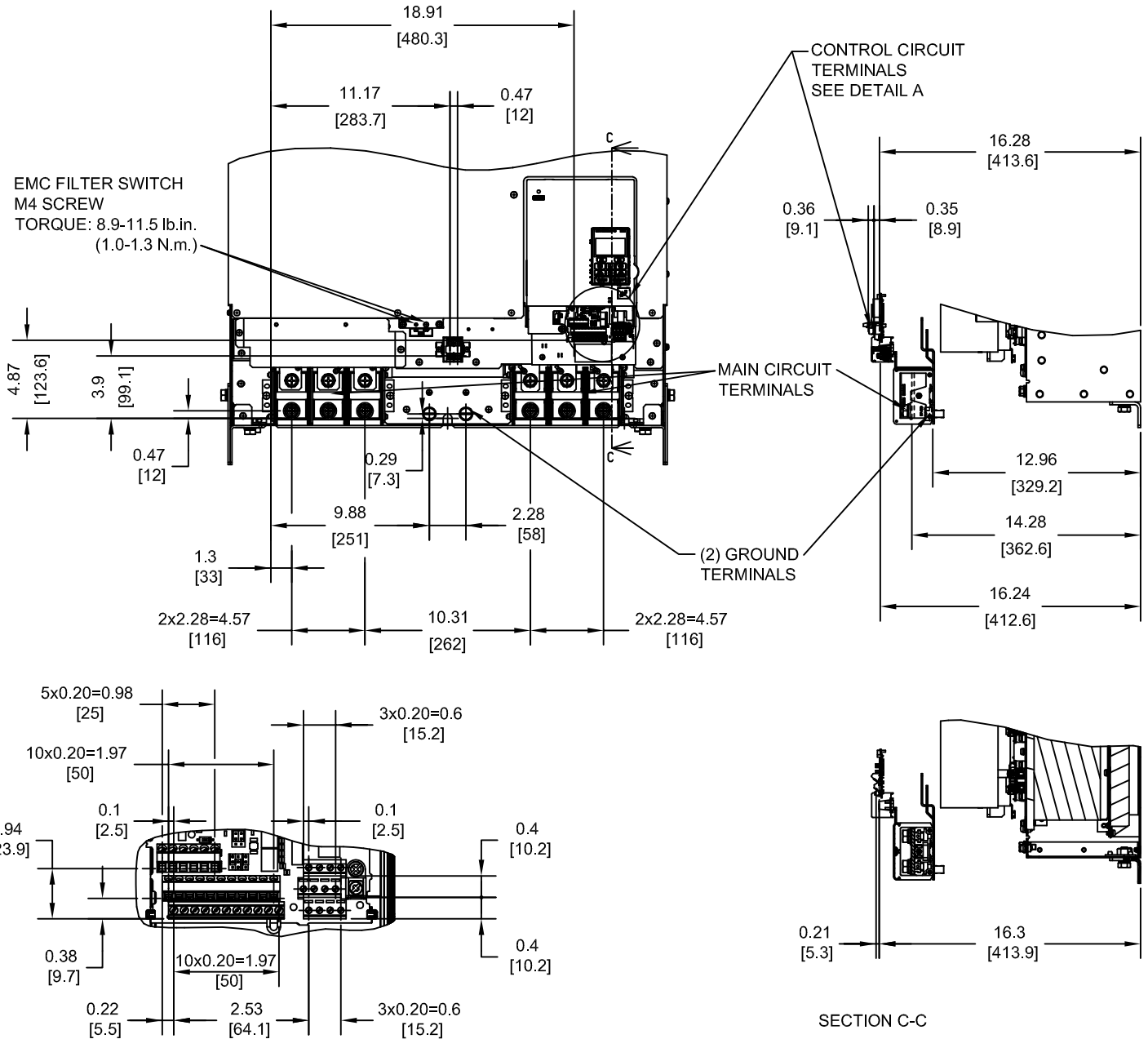
MODEL # CIMR-ZU	TERMINAL SYMBOL	TERMINAL SCREW	CLAMPING TORQUE lb.in.(N.m.)	WIRE RANGE AWG(mm ²)	
4□0302 4□0361	R/L1, S/L2, T/L3	M10	133 TO 177 (15 TO 20)	(2)10 TO 4/0 (6 TO 95)	
	U/T1, V/T2, W/T3				
	p1, n1	M4		10.6 TO 17.7 (1.2 TO 2.0)	14 TO 12 (2.5 TO 4)
	⊕	M12		278 TO 347 (31.4 TO 39.2)	1 TO 300 (35 TO 150)

NOTE: REFER TO APPLICABLE CODES FOR PROPER WIRE TYPE AND SIZE

TOLERANCES / REFERENCES:			DRAWN: J. MATTAS	DATE 3-18-15	TITLE: Z1000U DIMENSION DRAWING FRAME SIZE 5 NEMA TYPE 1 ENCLOSURE 4□0302, 4□0361 AND 4□0414		
			CHECKED: J. PIOTROWSKI	DATE 3-18-15	SIZE A	REVISION R00	PAGE 2 of 4
		THIS DOCUMENT AND INFORMATION CONTAINED IN IT ARE CONFIDENTIAL, AND CANNOT BE COPIED OR DISCLOSED IN WHOLE OR IN PART WITHOUT THE EXPRESS WRITTEN CONSENT OF YASKAWA AMERICA, INC.		TECH: J. BORJA	DATE 3-19-15		
UNITS: IN[mm]	SCALE: BY VIEW	APPROVED: J. CAIRO		DATE 4-30-15	DRAWING #: DD.Z1KU.FR5.N1		
		ORIGINAL DESIGN: -		DATE -			

TERMINAL AND WIRING INFORMATION FOR: ZU4□0414

TERMINAL AND WIRING DETAILS (SCALE 1:10)



DETAIL A (SCALE 1:3)
CONTROL CIRCUIT TERMINALS

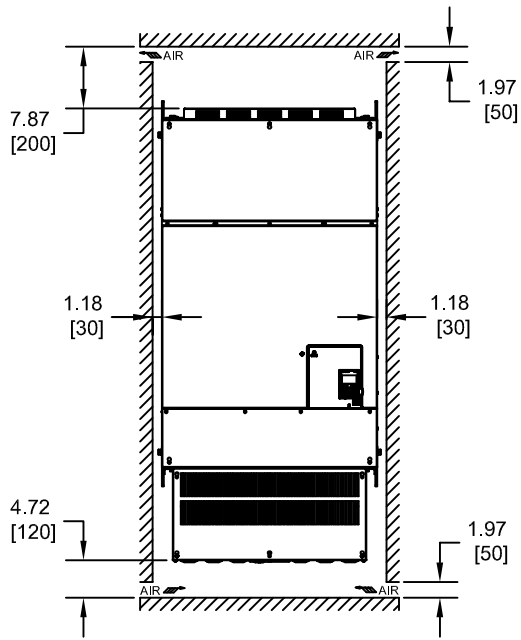
TERMINAL AND WIRE SPECIFICATIONS FOR MAIN CIRCUIT AND GROUND

MODEL # CIMR-ZU	TERMINAL SYMBOL	TERMINAL SCREW	CLAMPING TORQUE lb.in.(N.m.)	WIRE RANGE AWG(mm ²)
4□0414	R/L1, S/L2, T/L3	M12	221 TO 310 (25 TO 35)	(2)8 TO 300 kcmil (10 TO 150)
	U/T1, V/T2, W/T3			
	p1, n1	M4	10.6 TO 17.7 (1.2 TO 2.0)	14 TO 12 (2.5 TO 4)
	⊕	M12	278 TO 347 (31.4 TO 39.2)	1/0 TO 450 (50 TO 240)

NOTE: REFER TO APPLICABLE CODES FOR PROPER WIRE TYPE AND SIZE

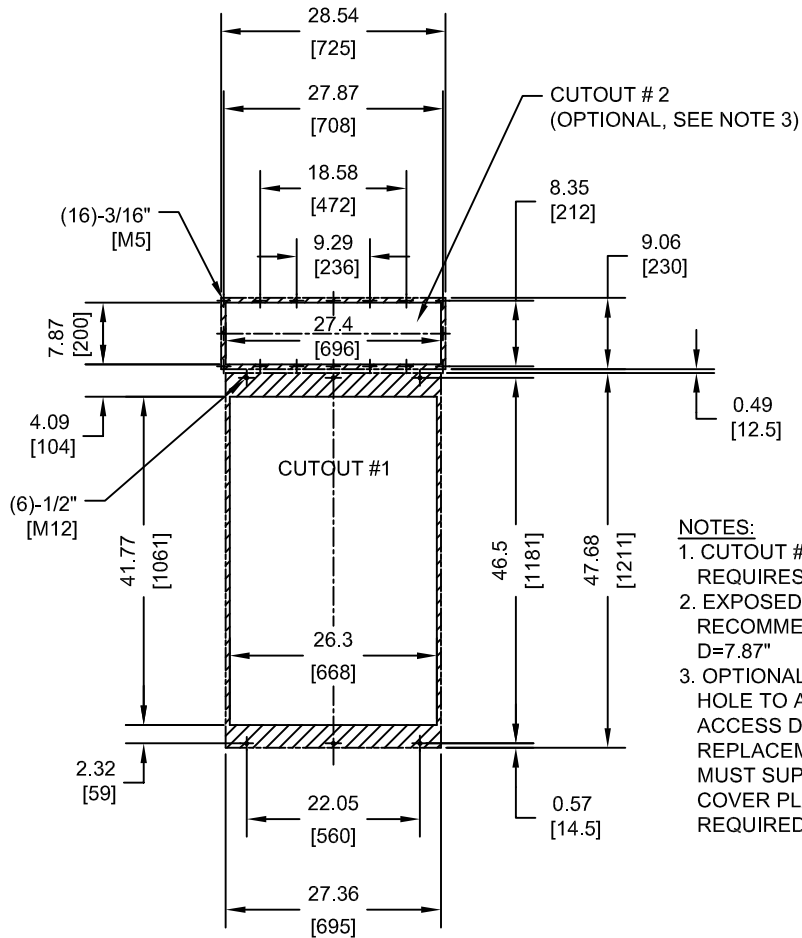
TOLERANCES / REFERENCES:			DRAWN: J. MATTAS	DATE: 3-18-15	TITLE: Z1000U DIMENSION DRAWING FRAME SIZE 5 NEMA TYPE 1 ENCLOSURE 4□0302, 4□0361 AND 4□0414
			CHECKED: J. PIOTROWSKI	DATE: 3-18-15	
		THIS DOCUMENT AND INFORMATION CONTAINED IN IT ARE CONFIDENTIAL, AND CANNOT BE COPIED OR DISCLOSED IN WHOLE OR IN PART WITHOUT THE EXPRESS WRITTEN CONSENT OF YASKAWA AMERICA, INC.	TECH: J. BORJA	DATE: 3-19-15	SIZE: A REVISION: R00 PAGE: 3 of 4
UNITS: IN[mm]	SCALE: BY VIEW		APPROVED: J. CAIRO	DATE: 4-30-15	
		ORIGINAL DESIGN: -	DATE: -		

MINIMUM INSTALLATION CLEARANCES (SCALE 1:25)



NOTE:
FOR SIDE-BY-SIDE MOUNTING
CONSULT MANUAL


PANEL CUTOUT FOR EXTERNAL HEATSINK
MOUNTING CONFIGURATION (SCALE 1:25)



NOTES:

1. CUTOUT #1: EXTERNAL HEATSINK, REQUIRES MOUNTING KIT
2. EXPOSED HEATSINK RECOMMENDED CLEARANCE D=7.87"
3. OPTIONAL CUTOUT #2 IS AN ACCESS HOLE TO ALLOW FOR FRONT ACCESS DURING HEATSINK COOLING FAN REPLACEMENT. THE PANEL BUILDER MUST SUPPLY THE APPROPRIATE COVER PLATE AND HARDWARE REQUIRED TO CLOSE THIS OPENING.

FOR ADDITIONAL DETAILS AND SPECIFICATIONS, CONSULT MANUAL

TOLERANCES / REFERENCES:		 <p>THIS DOCUMENT AND INFORMATION CONTAINED IN IT ARE CONFIDENTIAL, AND CANNOT BE COPIED OR DISCLOSED IN WHOLE OR IN PART WITHOUT THE EXPRESS WRITTEN CONSENT OF YASKAWA AMERICA, INC.</p>	DRAWN: J. MATTAS	DATE 3-18-15	TITLE: Z1000U DIMENSION DRAWING		
UNITS: IN[mm]			SCALE: BY VIEW	CHECKED: J. PIOTROWSKI	DATE 3-18-15	FRAME SIZE 5	
				TECH: J. BORJA	DATE 3-19-15	NEMA TYPE 1 ENCLOSURE	
				APPROVED: J. CAIRO	DATE 4-30-15	SIZE A	REVISION R00
			ORIGINAL DESIGN: -	DATE -	PAGE 4 of 4		
					DRAWING #: DD.Z1KU.FR5.N1		